

Rhenalux® AeroFirst for bright open-ridge stables.



Translucent panels



Rhenalux AeroFirst – the new lighting and ventilation system for open-ridge stables.

Fields of application

- For all stables designed with open ridge systems
- For all types of roofing
- For roof pitches over 5°

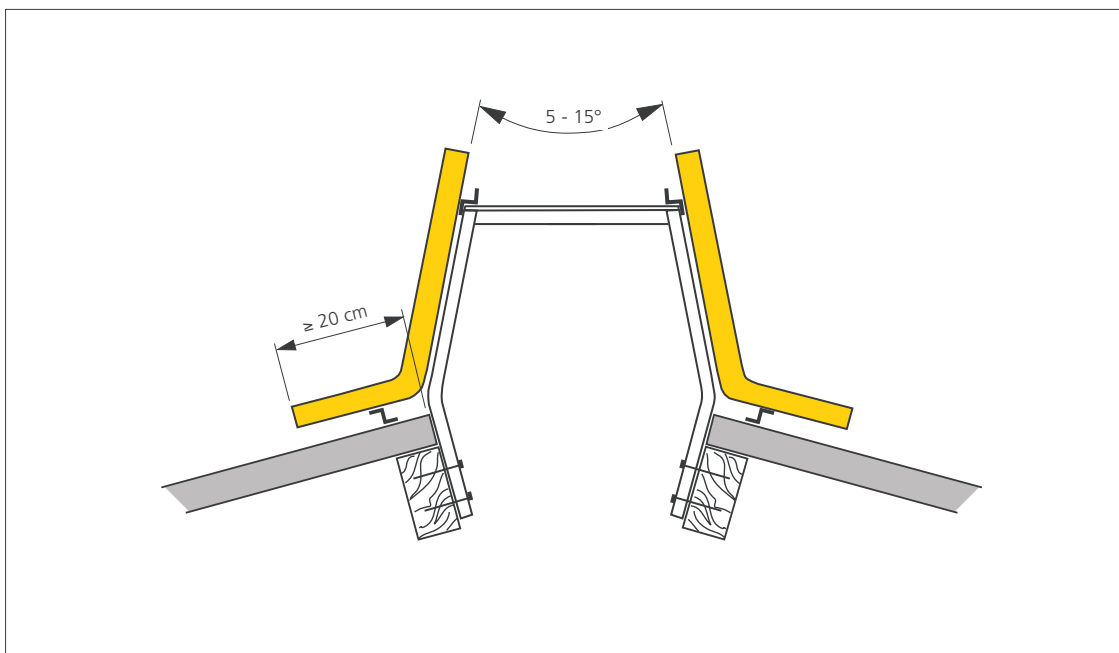
Properties

- Simple and reliable installation either on new buildings or during renovation
- Stable braced aluminium construction
- Enhanced lighting due to transparent upstand
- Wide lighting by integration of roof area

- Enhanced thermal current because of inclined upstand
- Height of the upstand is adaptable to suit the ridge aperture, max. 0.8 m.

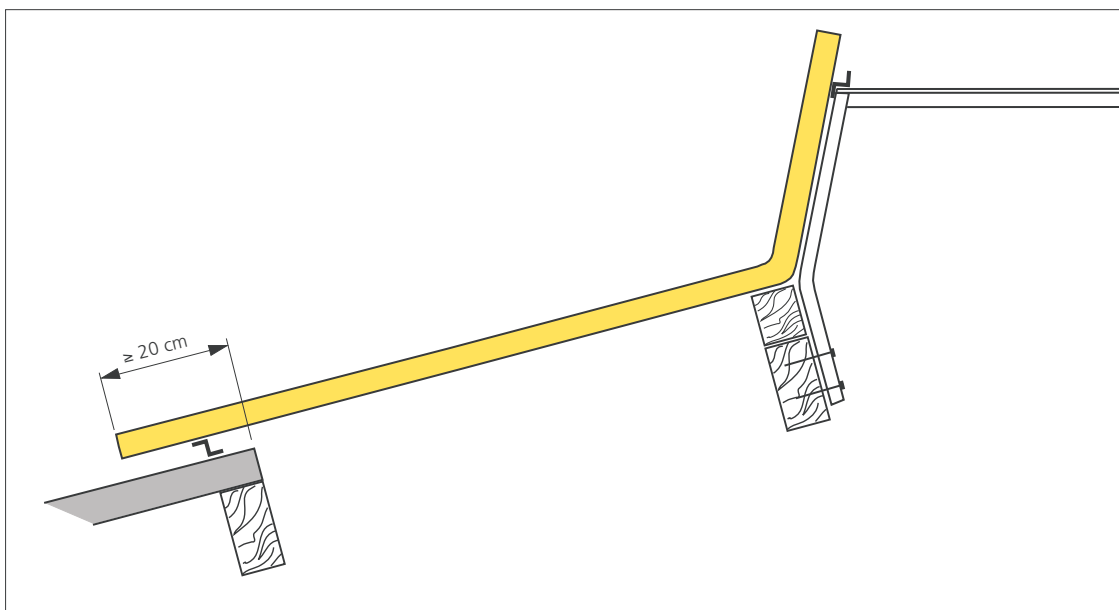
The drawings on the reverse show the two construction alternatives.

Rhenalux AeroFirst Open ridge



Cross section
Rhenalux AeroFirst
without additional
lighting fields in the
roof area

Rhenalux AeroFirst plus Open ridge with additional lighting fields in the roof area



Cross section
Rhenalux AeroFirst plus
with additional lighting
fields on both sides
of the roof area
(Shown: left ridge side)

Available forms

- Clear PVC translucent element;
profile 183/40; formed to suit
- Aluminium construction,
manufactured to suit, with stainless
steel fastening elements
- Optionally as OV or LS version



**FlachdachTechnologie
GmbH & Co. KG**

Eisenbahnstraße 6-8
68199 Mannheim
Germany

Tel +49-6 21-85 04-0
Fax +49-6 21-85 04-2 05
www.fdt.de