

▶▶ The element adding profile to the looks of your roof.



Rhepanol® fk –  
standing seam profile

▶▶ **A smart solution: Rhepanol® fk standing seam profile for a stunning look without any metal**



**Upgrading your flat roof**

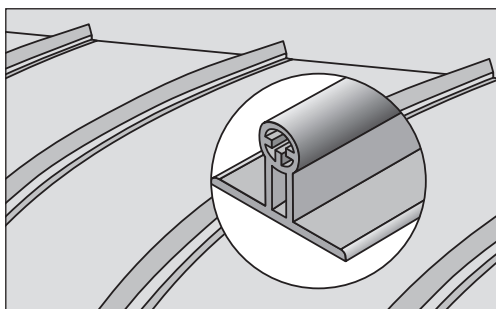
A traditional metal roof look can be achieved in a modern way: The standing seam profile used as a decorative element on Rhepanol fk provides a cost-efficient alternative to metal roofs, resulting in an architecturally attractive and technically functional design.

**Accessories with top characteristics**

- Flexible standing seam profile for perfect fitting to the geometry of the building
- Trimming and cutting of the standing seam profile with standard tools
- Simple application with self-sealing edge system without external power supply or adhesives
- Colour design by coating with Rhepanol roof paint copper and silver

**Easy and quick installation**

Adding profile to a roof is as easy as this: Clean the membrane surface at the working area, align the standing seam profile, tear off the protective release paper, fix the profile and press it on with the hand roller – done! Installation is always carried out from the ridge to the eaves; profiles are placed on the seam or at the membrane center.



*Homogeneous material connection*

**A clear advantage over metal roofs**

- Increased cost effectiveness through significantly lower costs for materials and installation
- Faster application
- Low rain noise
- Less contraction forces at high or low temperatures
- Application also possible on low sloped roofs



**Forms of supply**

Profile with self-sealing edge system  
 Profile height: 25 mm  
 Colour: grey  
 Length: 2 m

Rhepanol fk standing seam profile round:

Item No.: 14 80 510

Rhepanol fk joint connection

Item No.: 14 80 610

Rhepanol hand roller for standing seam profiles:

Item No.: 10 10 940

**FDT FlachdachTechnologie GmbH & Co. KG**

Eisenbahnstraße 6-8  
 68199 Mannheim  
 Germany

Tel +49-6 21-85 04-3 72  
 Fax +49-6 21-85 04-3 78  
 www.fdt.de